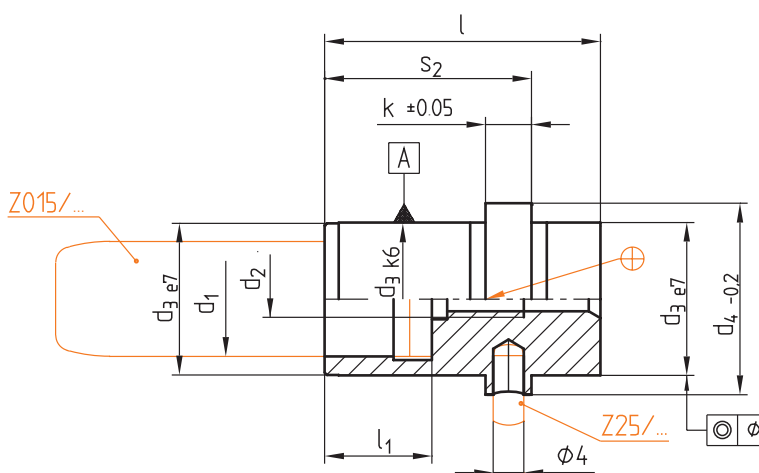


Z0152/...

Mat.: 1.2312/1080 N/mm²



l_1	k	d_2	d_4	l	s_2	d_3	d_1	\varnothing	Nr./No.	d_1	Nr./No.
14	6	M 4	25	36	27	20	14		Z0152/27x20/14	15	Z0152/27x20/15
				45	36				36		36
				55	46				46		46
				65	56				56		56
16	6	M 6	31	45	36	26	18		Z0152/36x26/18	20	Z0152/36x26/20
				55	46				46		46
				65	56				56		56
				85	76				76		76
20	6	M 8	35	45	36	30	22		Z0152/36x30/22	24	Z0152/36x30/24
				55	46				46		46
				65	56				56		56
				85	76				76		76
25	6	M10	47	55	46	42	30		Z0152/46x42/30	32	Z0152/46x42/32
				65	56				56		56
				85	76				76		76
				105	96				96		96

This is trial version
www.adultpdf.com